

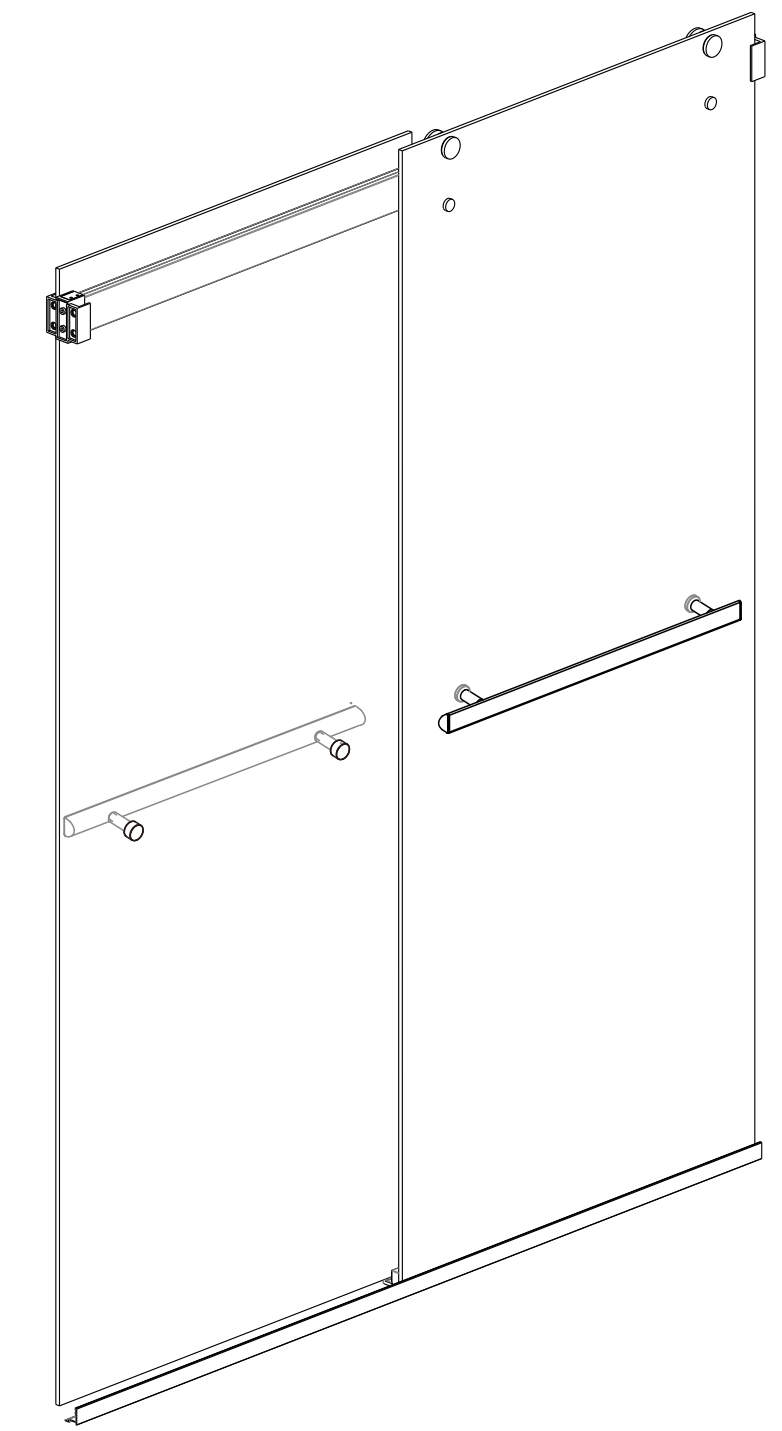


Vinnova Inc.

## INSTALLATION SPECIFICATION

|                         |                        |
|-------------------------|------------------------|
| Item No.                | 301060-BP-PC           |
| Description             | By-pass                |
| Overall Dimensions      | 60"x76"                |
| Installation Size Range | 56"-60"                |
| Profile Color           | Polished Chrome        |
| Glass Thickness         | 8/25"                  |
| Glass Color             | Transparent&Easy clean |
| Gross Weight            | 147 LBS                |
| Certifications          | ANSI Z97.1-2015        |

*All measurements are approximate. Measurements may vary +/- 1/25".*



**Spezia  
By-pass**

