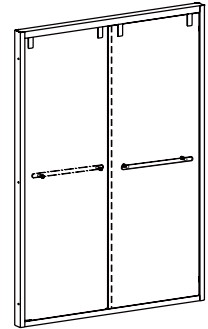


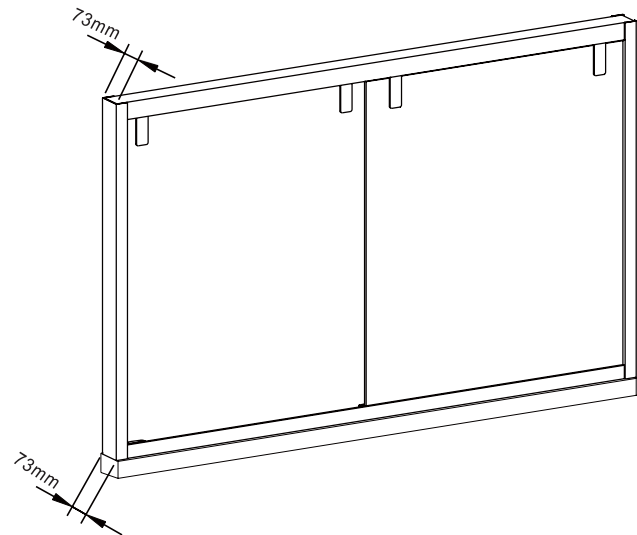
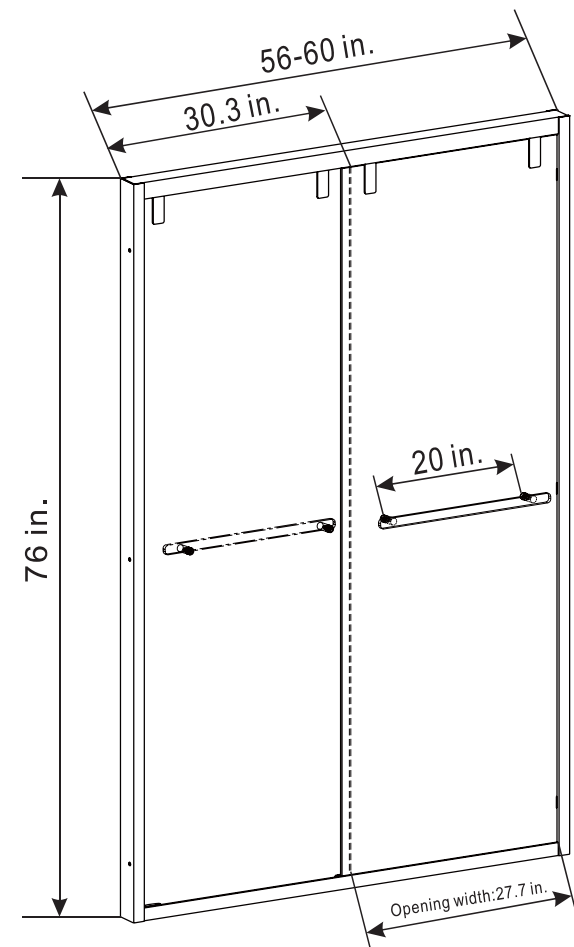
Vinnova Inc.

INSTALLATION SPECIFICATION

Item No.	307060-BP-PC
Description	By-pass
Overall Dimensions	60"X76"
Installation Size Range	56"-60"
profile Color	Polished Chrome
Glass Thickness	8/25"
Glass Color	Transparent&Easy clean
Gross Weight	153LBS
Certifications	ANSI Z97.1-2015



Brescia
By-pass



All measurements are approximate. Measurements may vary +/- 1/25".