



INSTALLATION SPECIFICATION

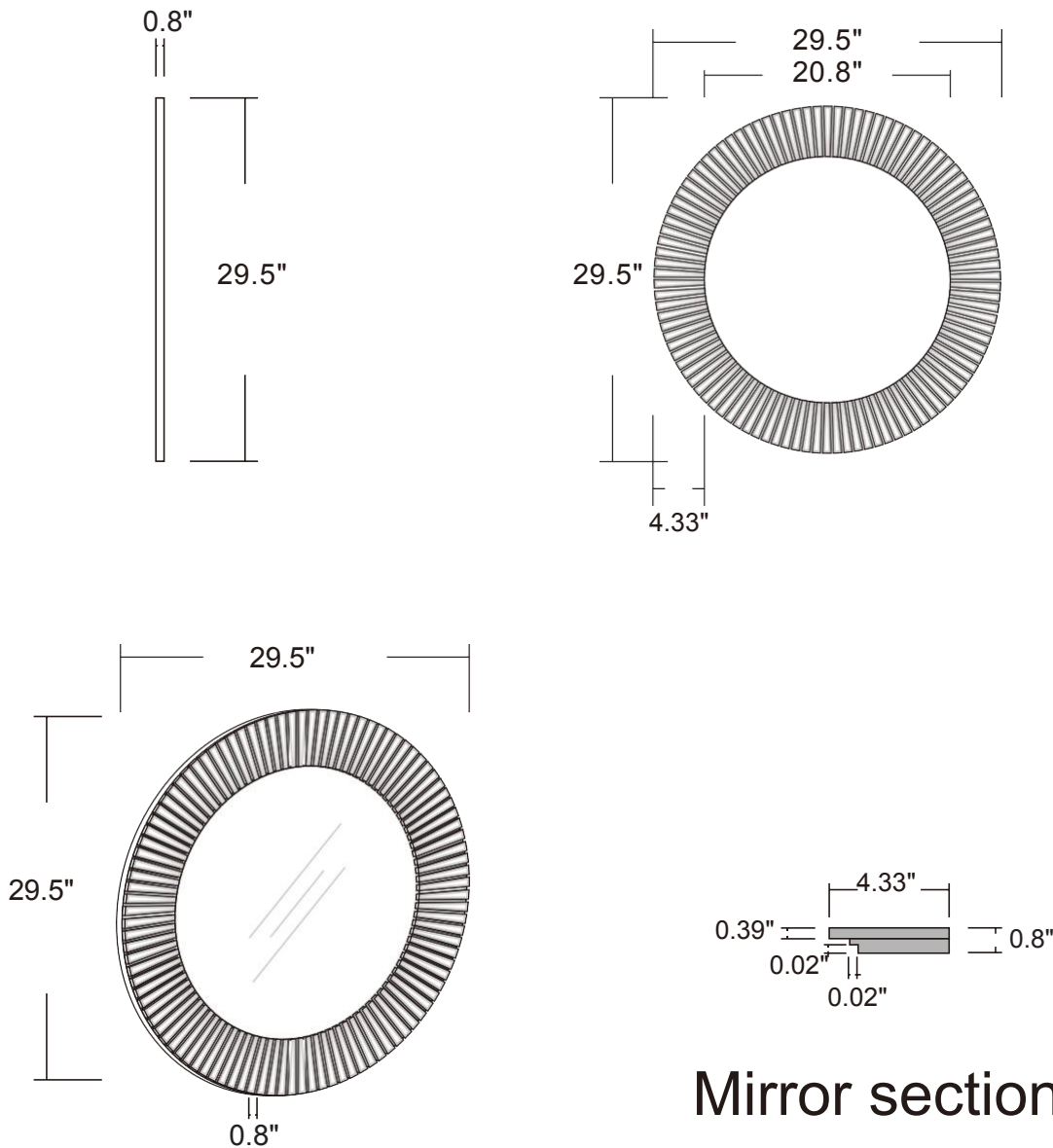
Model No.:	825030-CMIR-MB
Finish:	Metallic Bronze
Mount type:	Wall-mounted
Orientation:	Horizontal
Material:	MDF
Storage included:	No
Overall size:	29.5"W x 0.8"D x29.5"H
Net weight:	12.6lbs
Lens material:	4mm copper-free environmental lens

Vercelli

29.5"

Crafted Wall Mirror

All measurements are approximate. Measurements may vary +/- 1/2"



Mirror section

4.3"