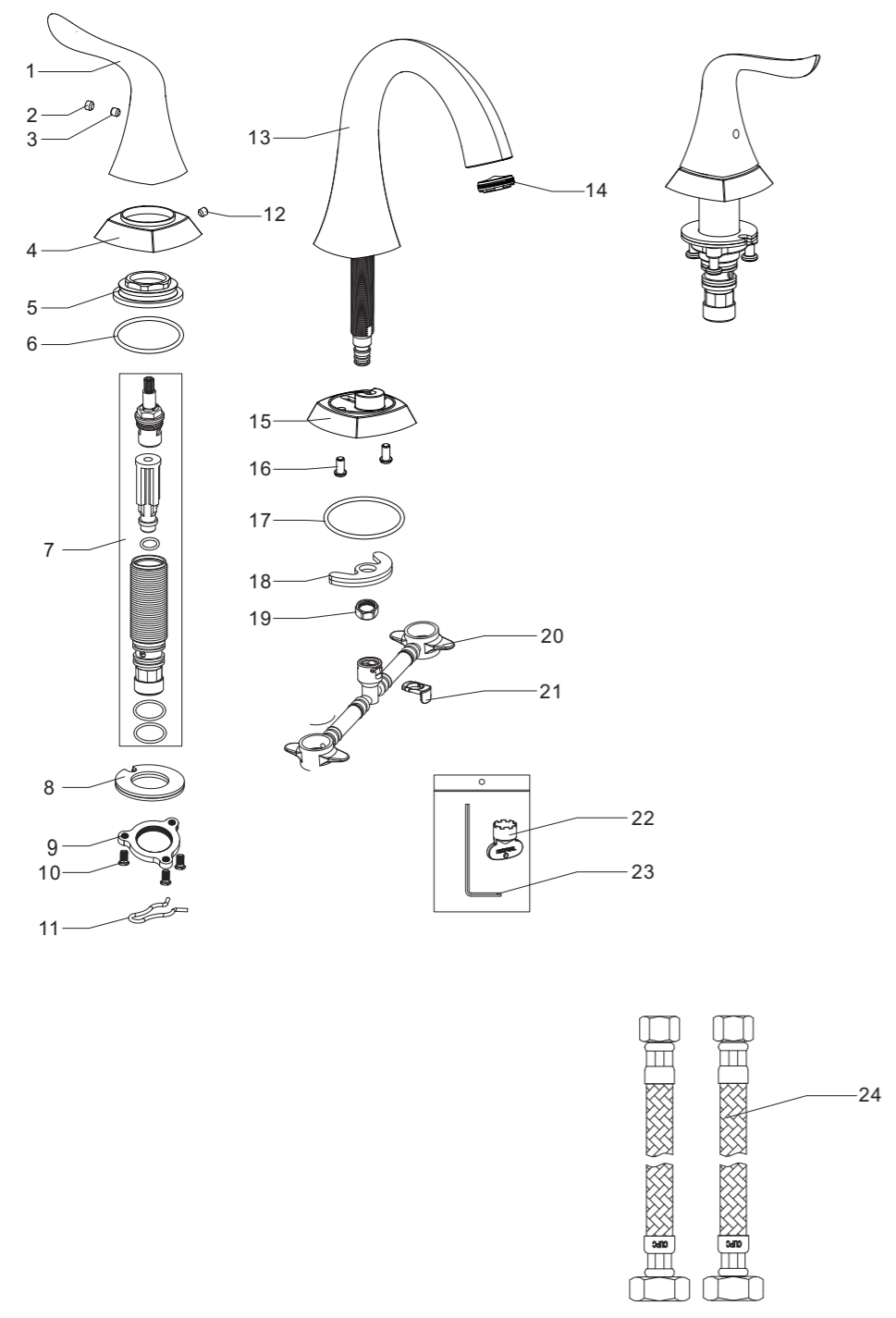
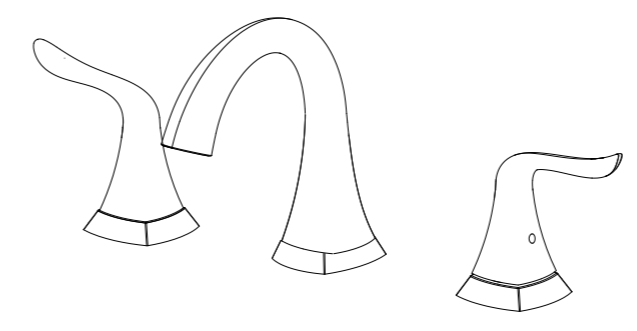


Step 4 Parts list



NO.	PART NAME
1	Handle
2	Index
3	Screw
4	Handle flange
5	Lock nut
6	O-ring
7	Water valve assembly
8	Gasket assembly
9	Lock nut
10	Screw
11	Clamp spring
12	Screw
13	Spout
14	Aerator
15	Base
16	Screw
17	O-ring
18	Gasket assembly
19	Lock nut
20	Flexible hose
21	Plastic lock ring
22	Aerator wrench
23	Allen key
24	Flexible hose



TWO HANDLE LAVATORY FAUCET

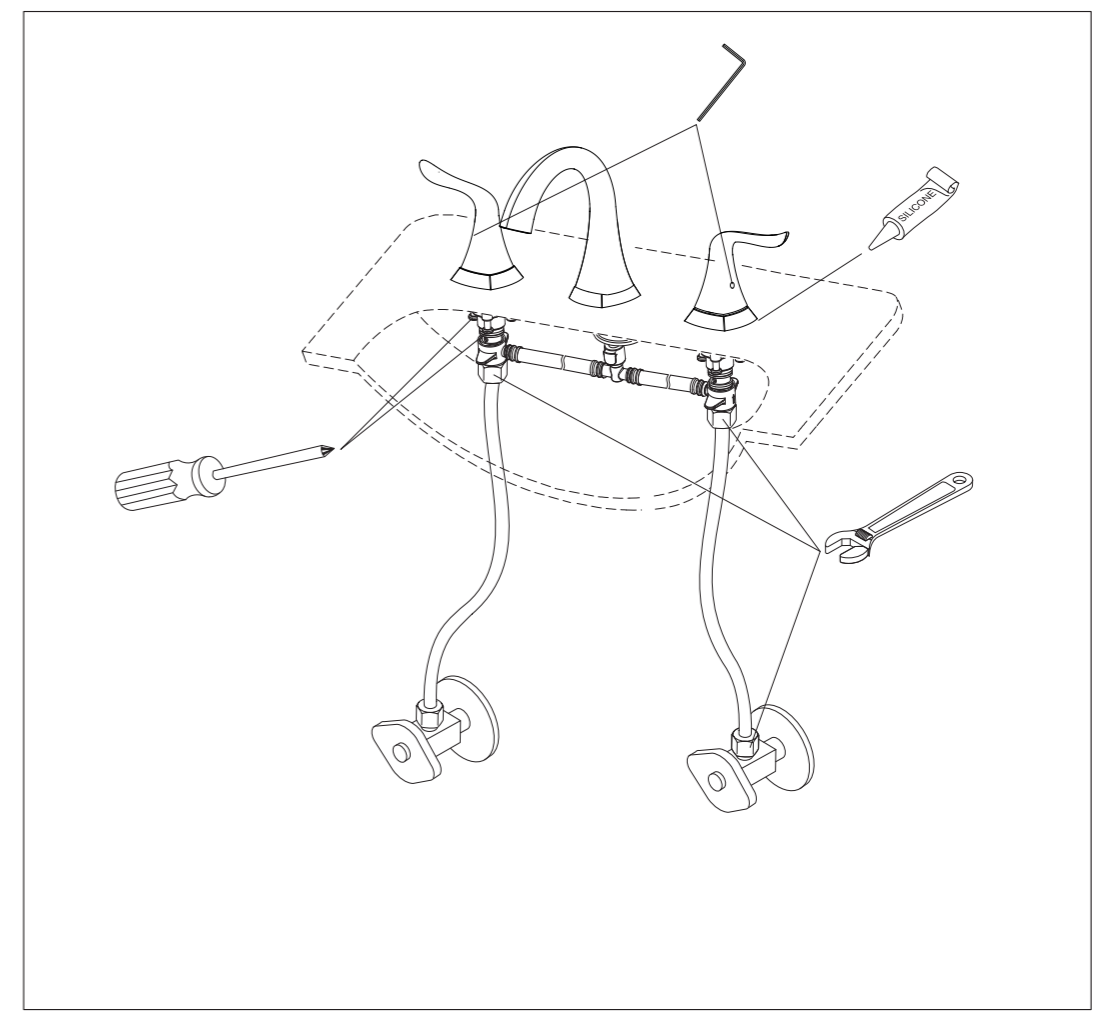
The product is CUPC, NSF-61, AB1953, WATERSENSE and ADA certified.  
Original certification model code: 1B469MV2  
ASME A112.18.1/CSA B125.1

**RECOMMENDED TOOLS**

**Attention:**  
for easy installation, you will need:  
1. To read all the installation instruction completely before beginning.  
2. To read all the warning, attention and maintenance information.  
3. To purchase the proper supply lines.

**WARNING:**  
Please keep the tool for future use!

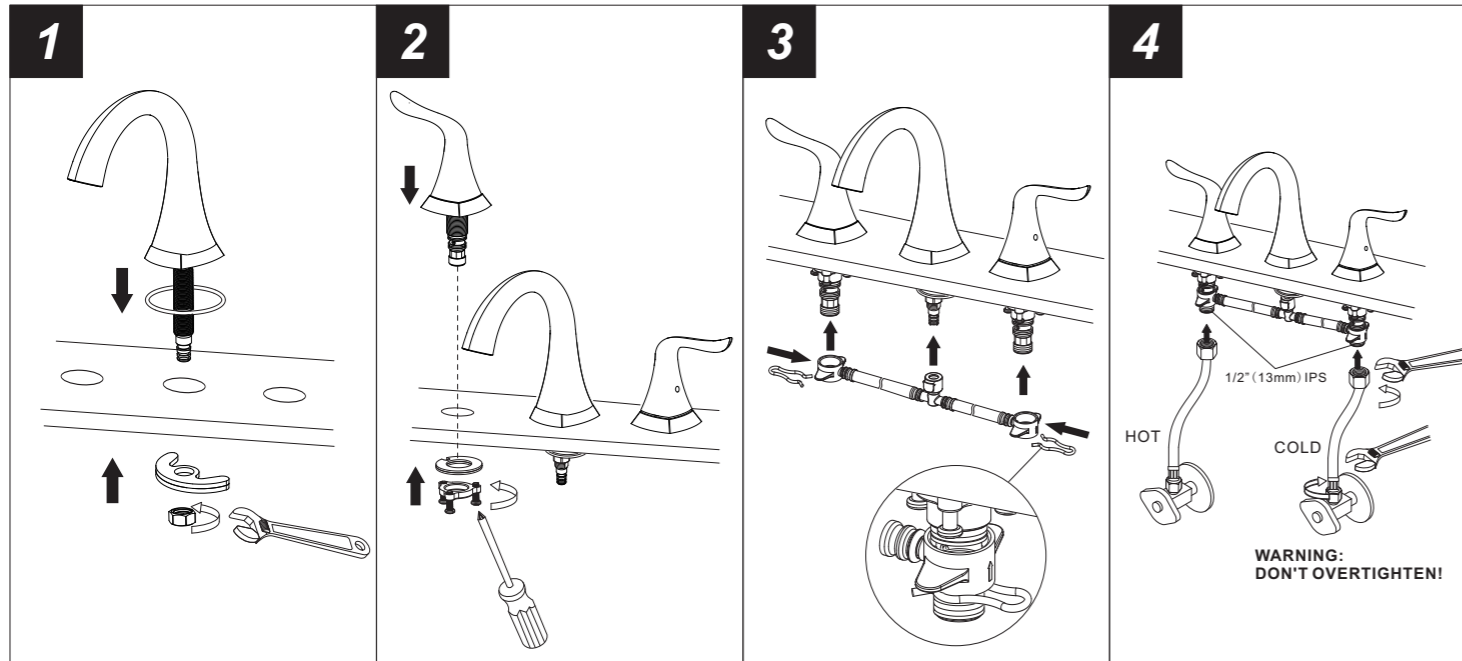
The tools might be applied to the following places:



## Step 1 Faucet and pop-up installation

## Step 2 Checking and testing

### Faucet installation



1. Position the body with o-ring in the installation surface as shown and secure it with gasket assembly and tighten the lock nut with adjustable wrench.

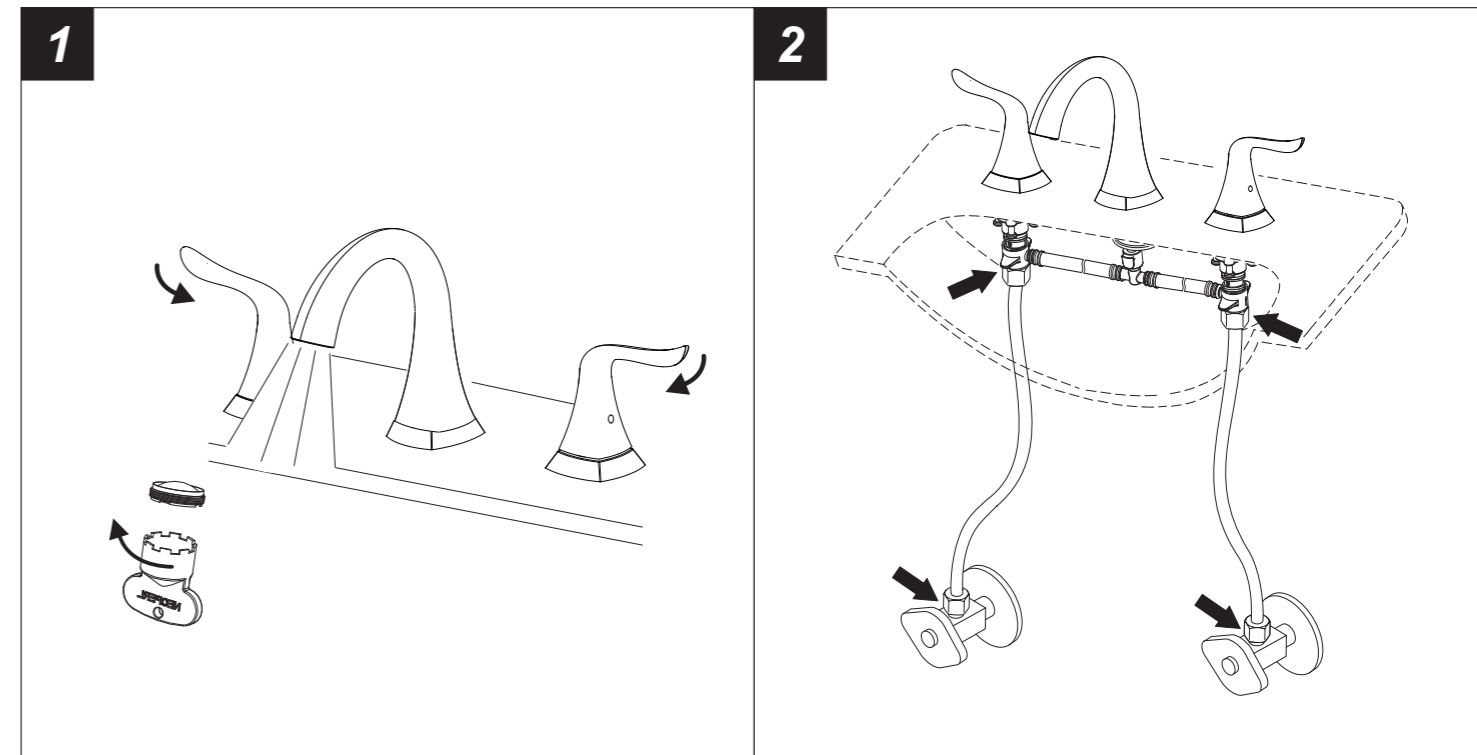
2. Position the handle in installation surface as shown and secure it with fixing kit and tighten the screw with screwdriver. Repeat the above steps for the other handle.

**Caution: please be caution with the position of hot and cold handles.**

3. Position the flexible hose as shown and fix it to the faucet as shown with clamp spring.

4. Connect the water supply lines to faucet and water supply valve and tighten it with wrench.

**Warning: The water supply valve mentioned above are not included, please purchase them from plumbshop.**



1. Remove the aerator by aerator wrench. Turn the faucet handle all the way on, turn on hot and cold water supply and flush water lines for one minute. Reinstall aerator by aerator wrench.

2. Check all connections at arrows for leaks, re-tighten it if necessary.



**BUT DON'T OVERTIGHTEN**

### Step 3 Cleaning and care

Daily cleaning and care are required in order to keep the product shining and properly working.

1 Clean it with water and dry it with soft cloth.

2 Clean the product with gentle liquid or glass cleaner.

3 Don't use acid cleaner.

4 Don't clean with abrasive material, abrasive paper or knife.