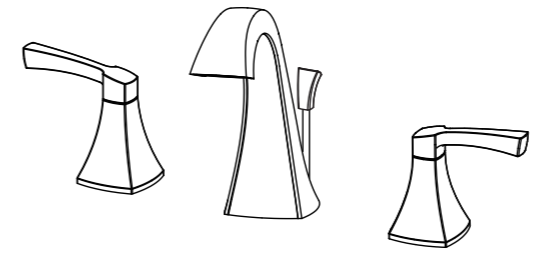


NO.	PART NAME
1	Handle assembly
2	Lock nut
3	O-ring
4	Water valve assembly
5	Gasket assembly
6	Lock nut
7	Screw
8	Clamp spring
9	Spout
10	Washer
11	Aerator
12	O-ring
13	Gasket assembly
14	Lock nut
15	Flexible hose
16	Plastic lock ring
17	Aerator wrench
18	Allen key
19	Flexible hose
20	Lift rod



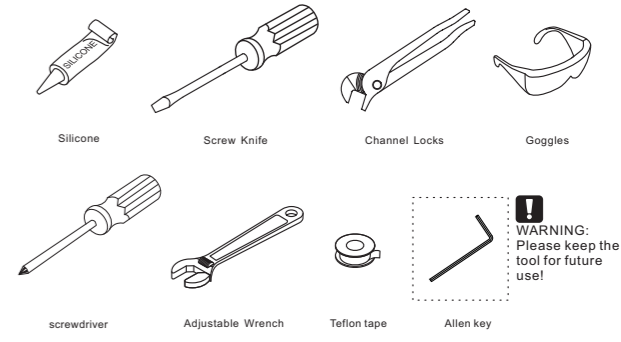
**TWO HANDLE LAVATORY FAUCET**

The product is CUPC, NSF-61, AB1953, WATERSENSE and ADA certified.

Original certification model code: 1B412CV2

ASME A112.18.1/CSA B125.1

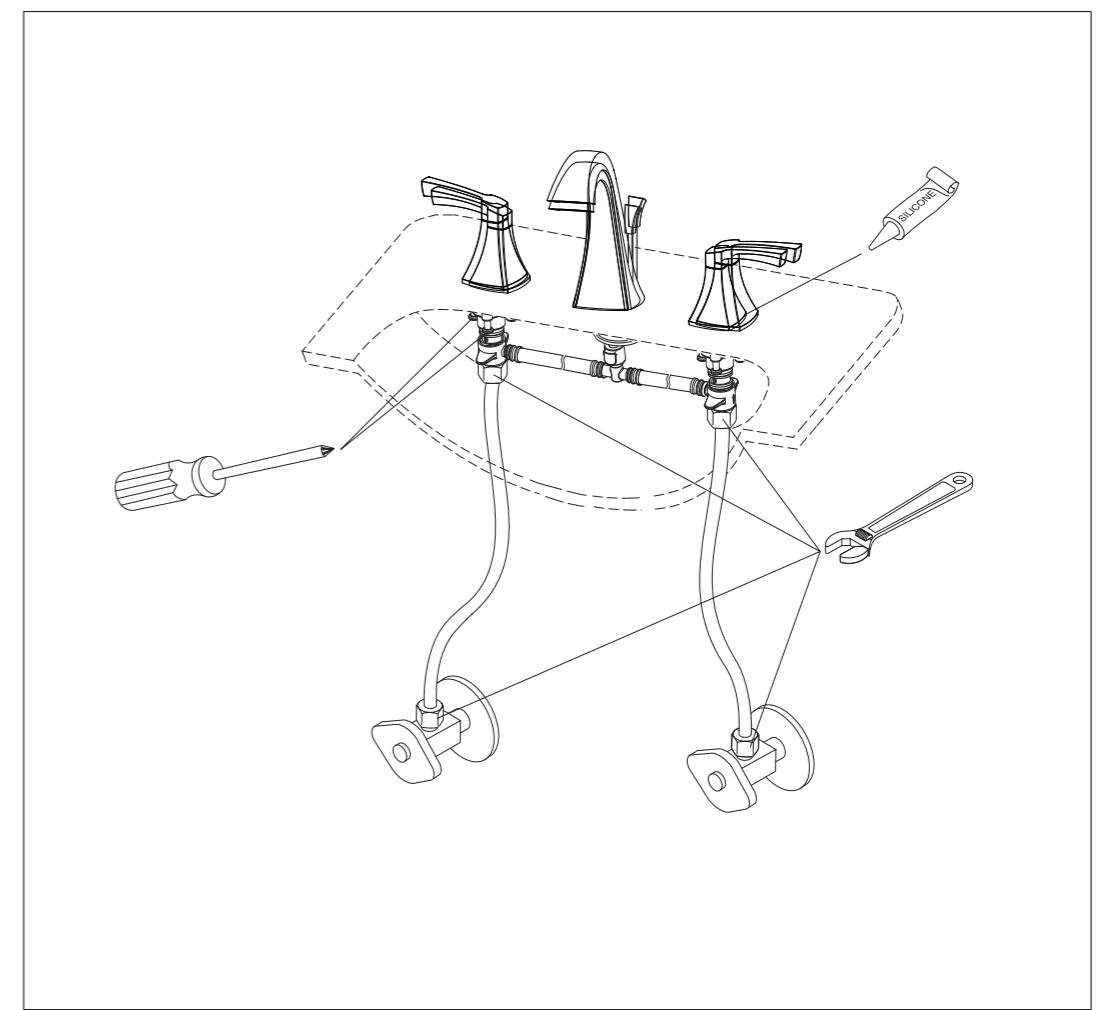
**RECOMMENDED TOOLS**



**WARNING:**  
Please keep the tool for future use!

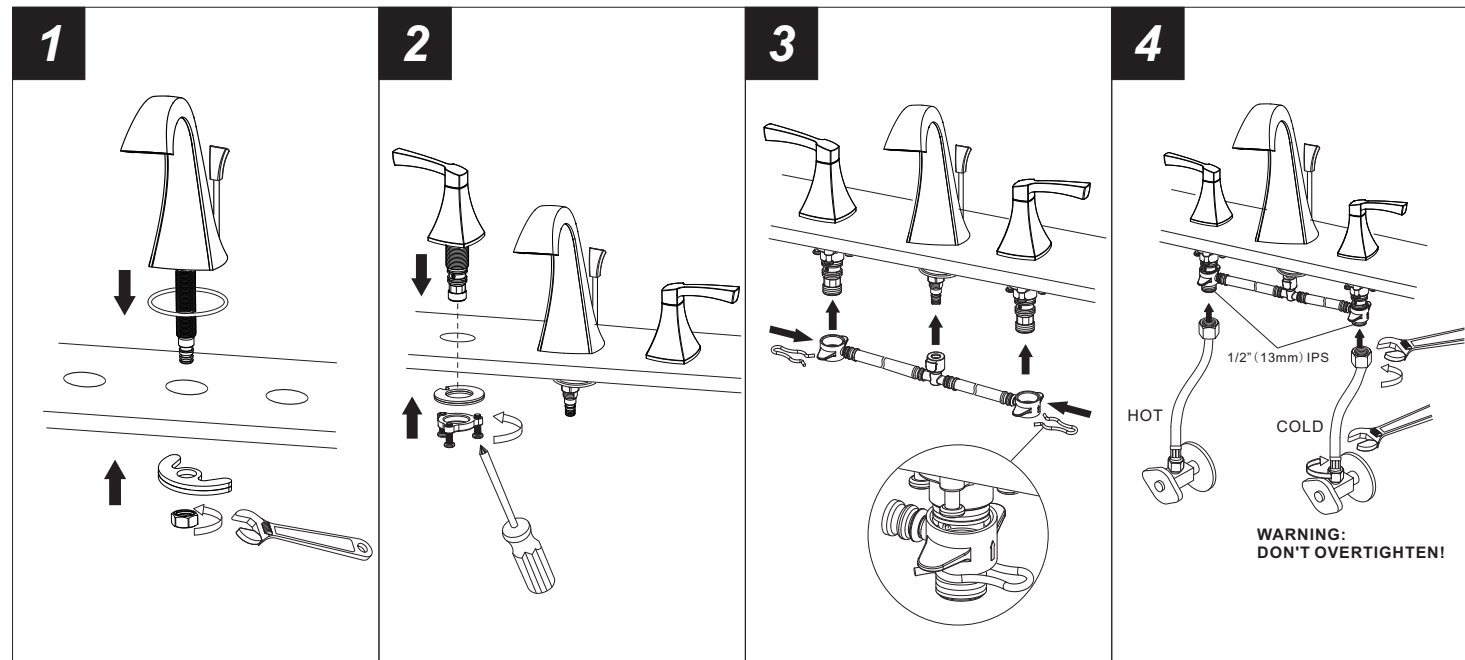
**Attention:**  
for easy installation, you will need:  
1. To read all the installation instruction completely before beginning.  
2. To read all the warning, attention and maintenance information.  
3. To purchase the proper supply lines.

**The tools might be applied to the following places:**



## Step 1 Faucet and pop-up installation

### Faucet installation



1. Position the body with o-ring in the installation surface as shown and secure it with gasket assembly and tighten the lock nut with adjustable wrench.

2. Position the handle in installation surface as shown and secure it with fixing kit and tighten the screw with screwdriver. Repeat the above steps for the other handle.

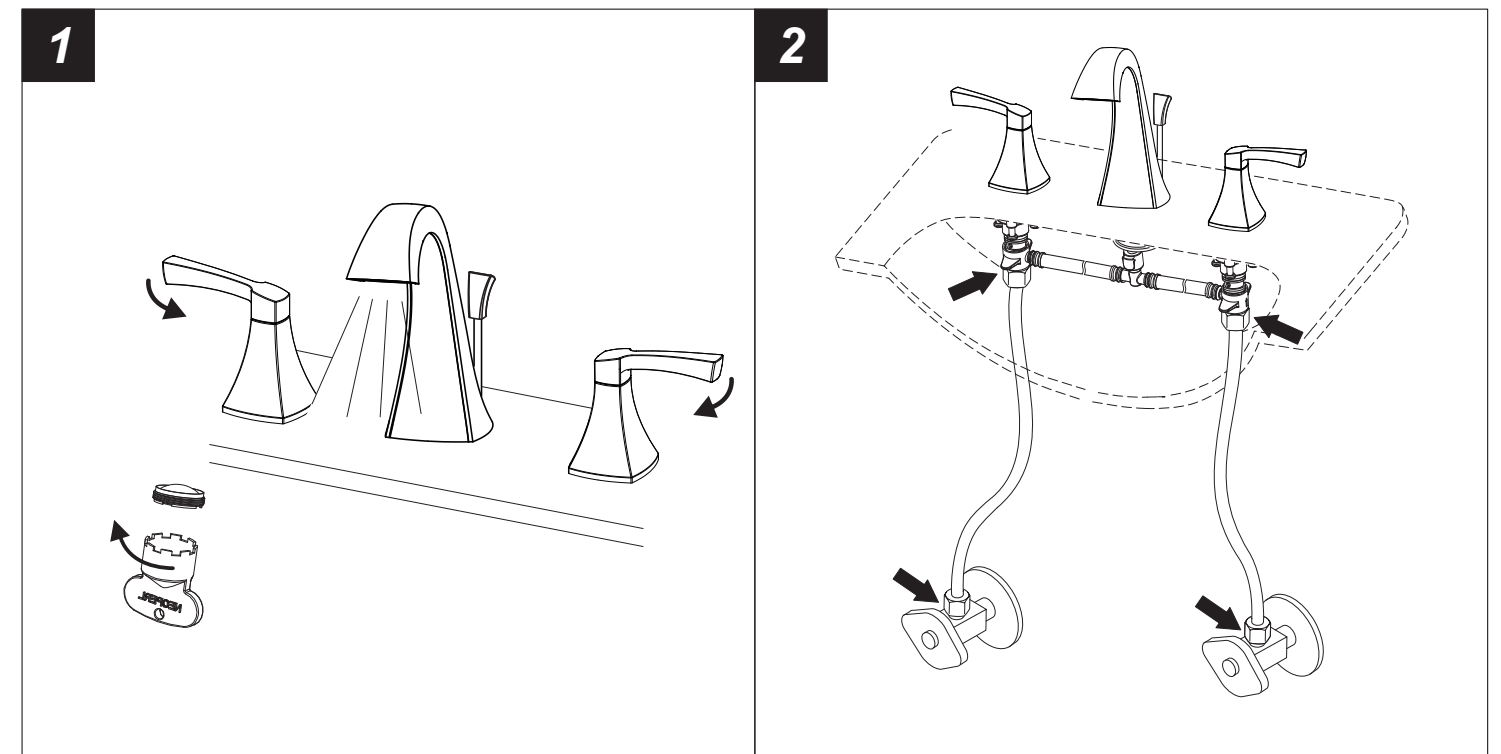
**Caution: please be caution with the position of hot and cold handles.**

3. Position the flexible hose as shown and fix it to the faucet as shown with clamp spring.

4. Connect the water supply lines to faucet and water supply valve and tighten it with wrench.

**Warning: The water supply valve mentioned above are not included, please purchase them from plumbshop.**

## Step 2 Checking and testing



1. Remove the aerator by aerator wrench. Turn the faucet handle all the way on, turn on hot and cold water supply and flush water lines for one minute. Reinstall aerator by aerator wrench.

2. Check all connections at arrows for leaks, re-tighten it if necessary.



**BUT DON'T OVERTIGHTEN**

## Step 3 Cleaning and care

Daily cleaning and care are required in order to keep the product shining and properly working.

1 Clean it with water and dry it with soft cloth.

2 Clean the product with gentle liquid or glass cleaner.

3 Don't use acid cleaner.

4 Don't clean with abrasive material, abrasive paper or knife.