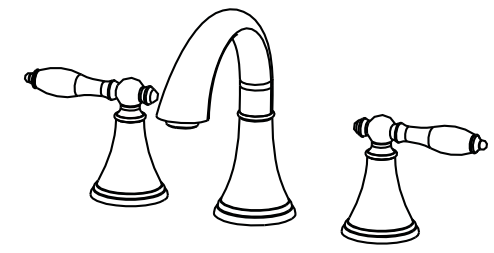


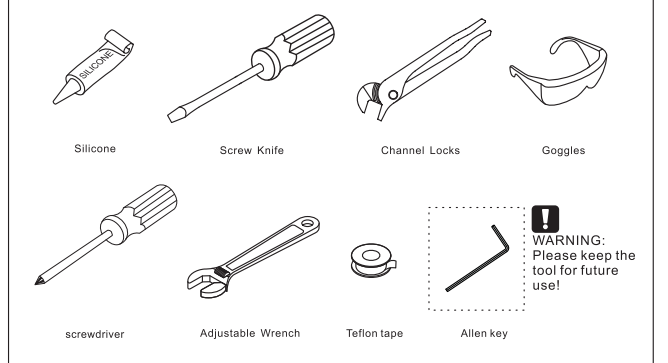
NO.	PART NAME
1	Handle
2	Wearing ring
3	Handle flange
4	O-ring
5	Handle connecting bar
6	Screw
7	Cartridge nut
8	O-ring
9	Cartridge
10	Inlet pipe
11	Water valve
12	Clamp spring
13	O-ring
14	Gasket assembly
15	Lock nut
16	Screw
17	Body
18	Aerator
19	Water way
20	O-ring
21	Gasket assembly
22	Lock nut
23	Flexible hose
24	Flexible hose



TWO HANDLE LAVATORY FAUCET

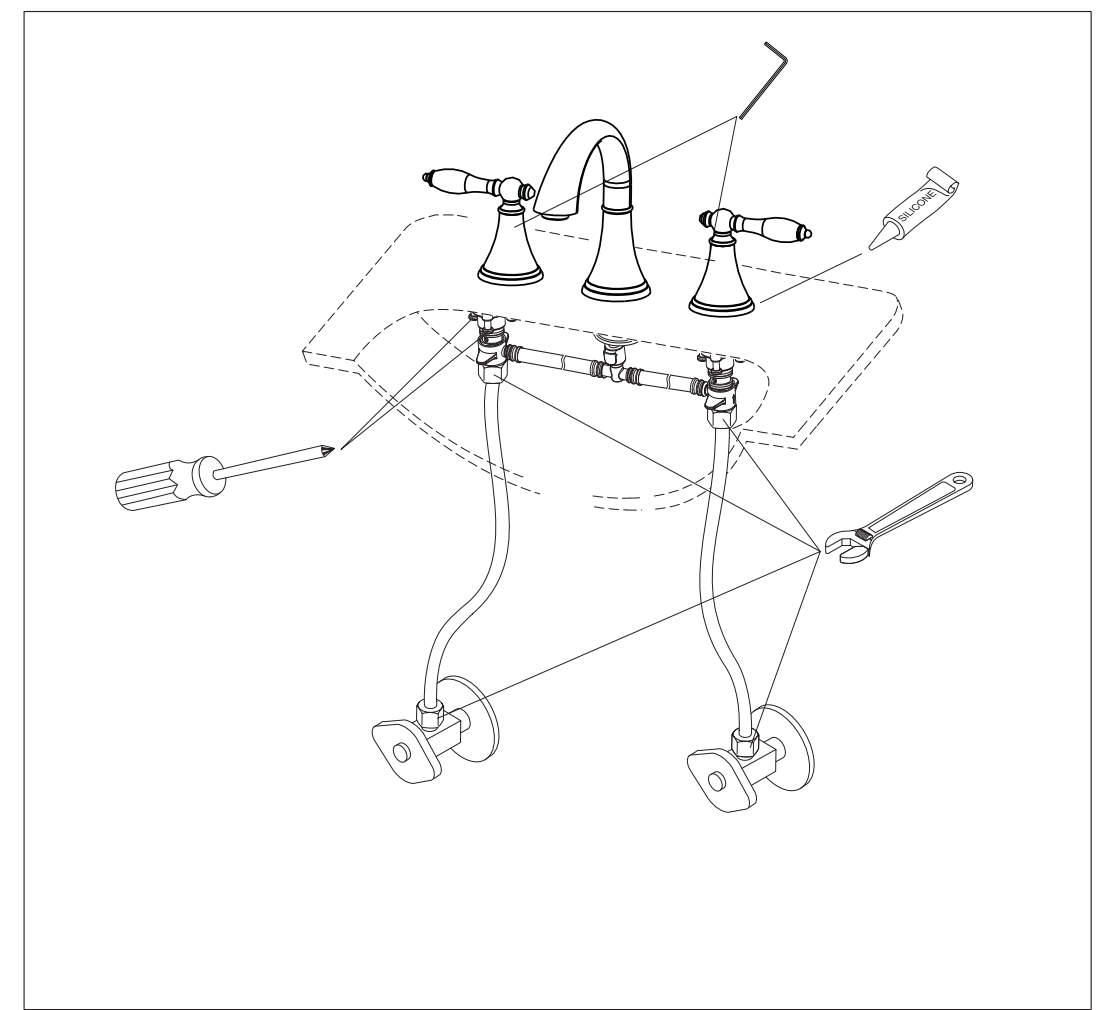
The product is CUPC, NSF-61, AB1953, WATERSENSE certified.
Original certification model code: 18U32CW2
ASME A112.18.1/CSA B125.1

RECOMMENDED TOOLS

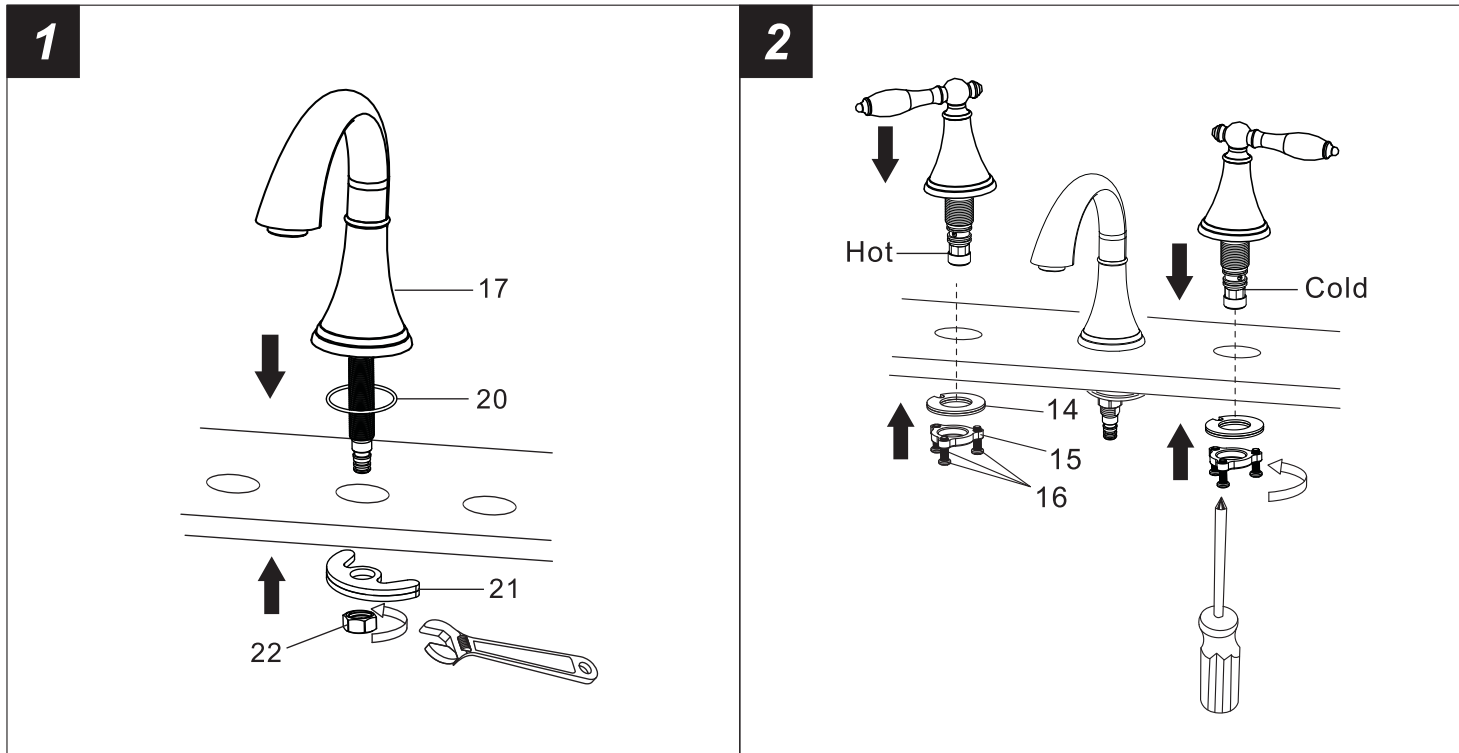


Attention:
for easy installation, you will need:
1. To read all the installation instruction completely before beginning.
2. To read all the warning, attention and maintenance information.
3. To purchase the proper supply lines.

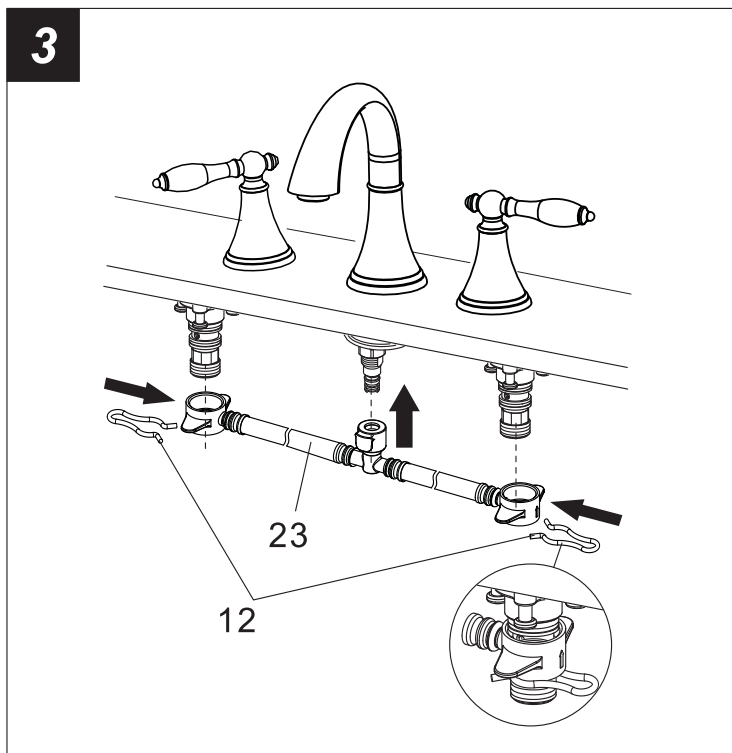
The tools might be applied to the following places:



Step 1 Faucet installation

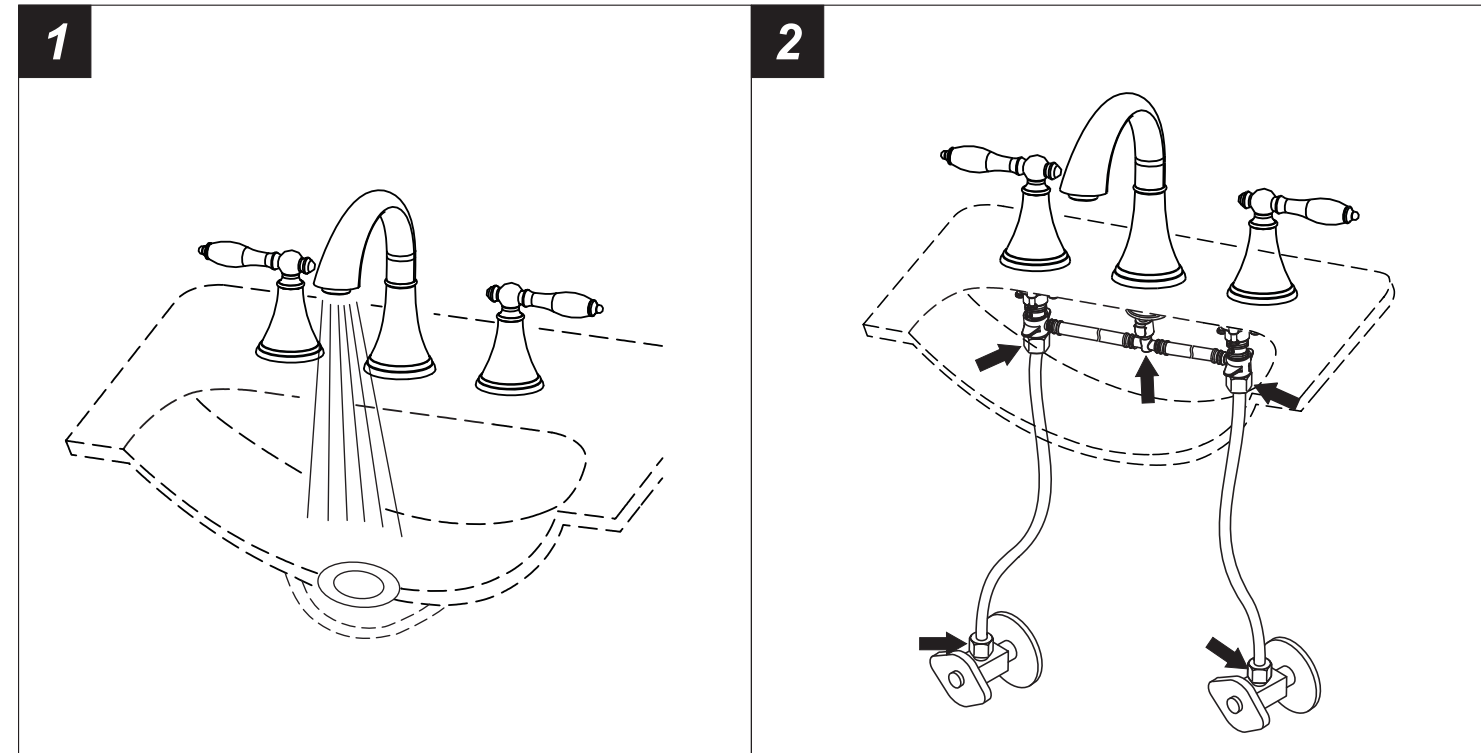


1. Position the o-ring #20 and body #17 in the installation surface as shown and secure it with gasket assembly #21 and tighten the lock nut #22 with adjustable wrench.
2. Position the handle in installation surface as shown and secure it with fixing kit (#14, #15, #16) and tighten the screw #16 with screwdriver. Repeat the above steps for the other handle.
Caution: please be caution with the position of hot and cold handles.



3. Position the flexible hose #23 as shown and fix it to the faucet as shown with clamp spring #12.

Step 2 Checking and testing



1. Remove the aerator by hand. Turn the faucet handle all the way on, turn on hot and cold water supply and flush water lines for one minute. Reinstall aerator by hand.
2. Check all connections at arrows for leaks, re-tighten it if necessary. **BUT DON'T OVERTIGHTEN**

!
BUT DON'T OVERTIGHTEN

Step 3 Cleaning and care

Daily cleaning and care are required in order to keep the product shining and properly working.

- 1 Clean it with water and dry it with soft cloth.
- 2 Clean the product with gentle liquid or glass cleaner.
- 3 Don't use acid cleaner.
- 4 Don't clean with abrasive material, abrasive paper or knife.