

AIR SWITCH INSTALLATION

Contemporary Model # 3010

Traditional Model # 4010

Industrial Model # 9010

BEFORE YOU BEGIN YOUR INSTALLATION:



Turn off water supply.

REQUIRED TOOLS:



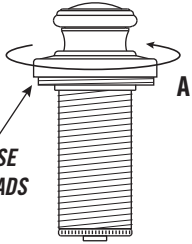
1. Phillips Screwdriver

PARTS INCLUDED:

USM1375

Undersink Mounting Hardware
(1-1/4")

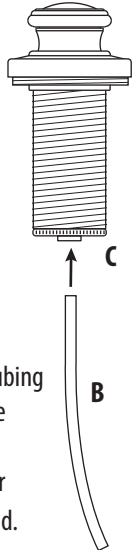
1.



EXPOSE THREADS

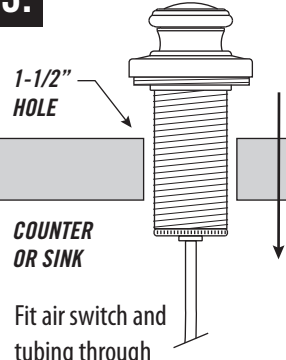
Before inserting air switch into hole, loosen switch base (A) until threads are exposed.

2.



Slide clear tubing (B) into tube fitting (C) at bottom of air switch shroud.

3.



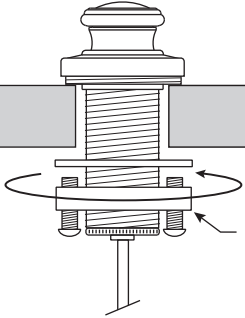
1-1/2" HOLE

COUNTER OR SINK

Fit air switch and tubing through 1-1/2" hole on counter or sink.

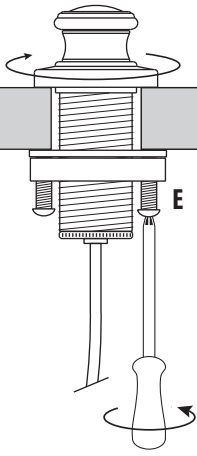
(No plumbers putty is required. O-ring seals base.)

4.



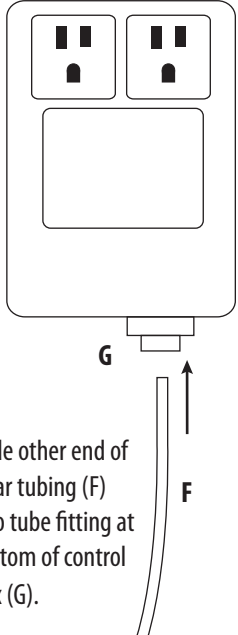
Slide washer up then thread the clamp nut onto threaded shroud. Hand tighten nut to underside of sink or counter until snug.

5.



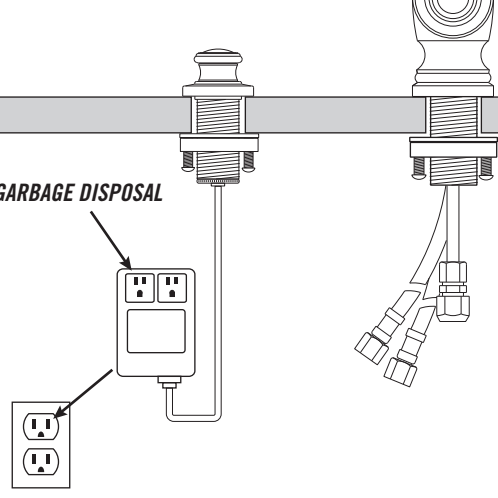
Tighten clamp screws (C) securely with screwdriver. Hand tighten switch base back down to cover threads.

6.



Slide other end of clear tubing (F) into tube fitting at bottom of control box (G).

7.



GARBAGE DISPOSAL

Plug control box into undersink electrical outlet. Garbage disposal can be plugged into either dual outlet.