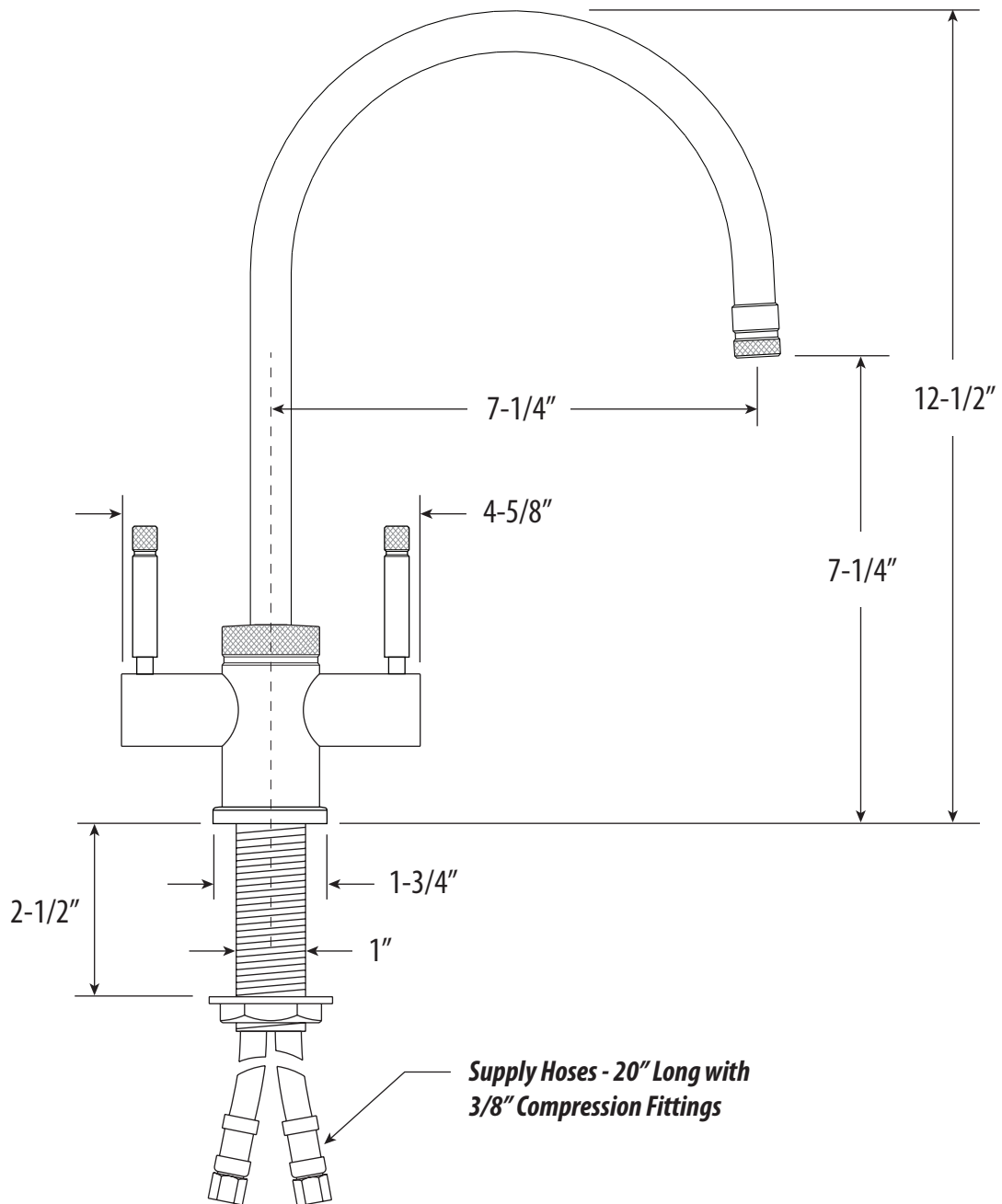


INDUSTRIAL BAR FAUCET / C-SPOUT

1650

- Max Counter Thickness 2-1/2"
- Install Hole Size Adaptable Up to 1-3/8"



ECO BRASS
HIGH PERFORMANCE LEAD FREE BRASS

DIMENSIONS MAY VARY AND ARE SUBJECT TO CHANGE. NO RESPONSIBILITY IS ASSUMED FOR USE OF SUPERCEDED OR VOIDED DATA