

CONTEMPORARY DUAL PORT AIR GAP

Model # 3030



PRODUCT DESCRIPTION

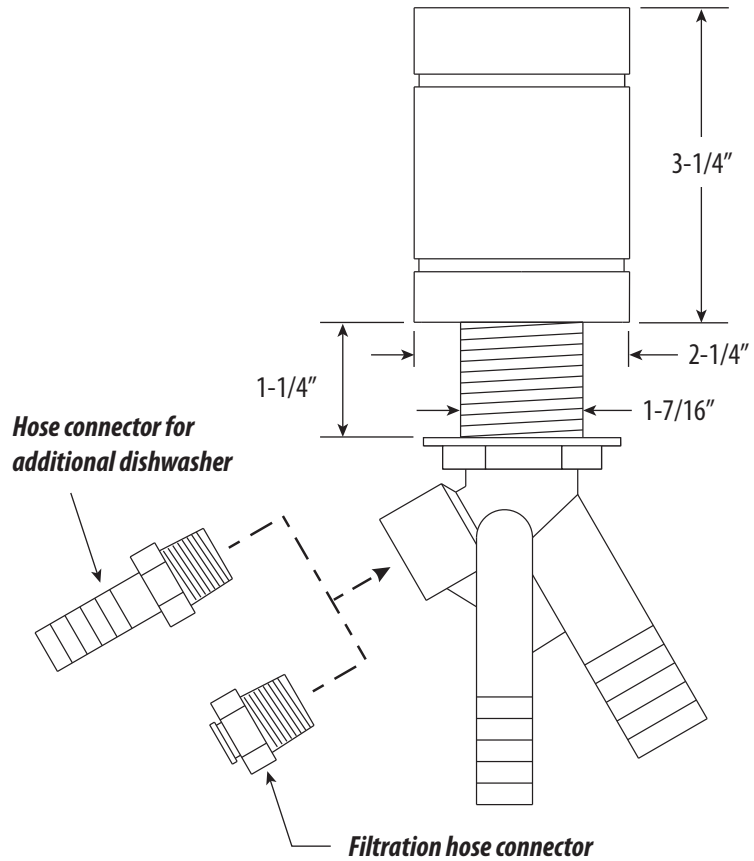
- Dual or single port dishwasher airgap.
- Prevents dishwasher backflow and dirt buildup.
- Includes adapters for RO port or 2nd dishwasher.
- Cover hides upper nut and washer edges.
- Solid brass or stainless steel construction.
- Made in the USA.

CODES/STANDARDS APPLICABLE

Specified model meets or exceeds the following:

- UPC

- Max Counter Thickness 1-1/4"
- Install Hole Size Adaptable Up to 1-1/2"



DIMENSIONS MAY VARY AND ARE SUBJECT TO CHANGE. NO RESPONSIBILITY IS ASSUMED FOR USE OF SUPERCEDED OR VOIDED DATA

AVAILABLE IN 30 FINISHES + SOLID STAINLESS STEEL

Antique Brass - AB
Antique Bronze - ABZ
Antique Copper - AC
American Bronze - AMB
Antique Pewter - AP
Gloss Black - GB
Black Nickel - BLN
Black-Oil Rubbed Bronze - ORB
Caribbean Bronze - CB
Chocolate Bronze - CHB
Chrome - CH

Classic Bronze - CLZ
Distressed Antique Brass - DAB
Distressed Antique Copper - DAC
Distressed American Bronze - DAMB
Distressed Antique Pewter - DAP
Matte Black - MB
Polished Brass - PB
Polished Copper - PC
Polished Gold - PG
Polished Nickel - PN
Satin Brass - SB

Satin Chrome - SC
Satin Gold - SG
Satin Nickel - SN
Stainless Steel - SS*
Tuscan Brass - TB
Unlaquered Polished Brass - UPB
Venetian Bronze - VB
Weathered Brass - WB
Weathered Copper - WC