

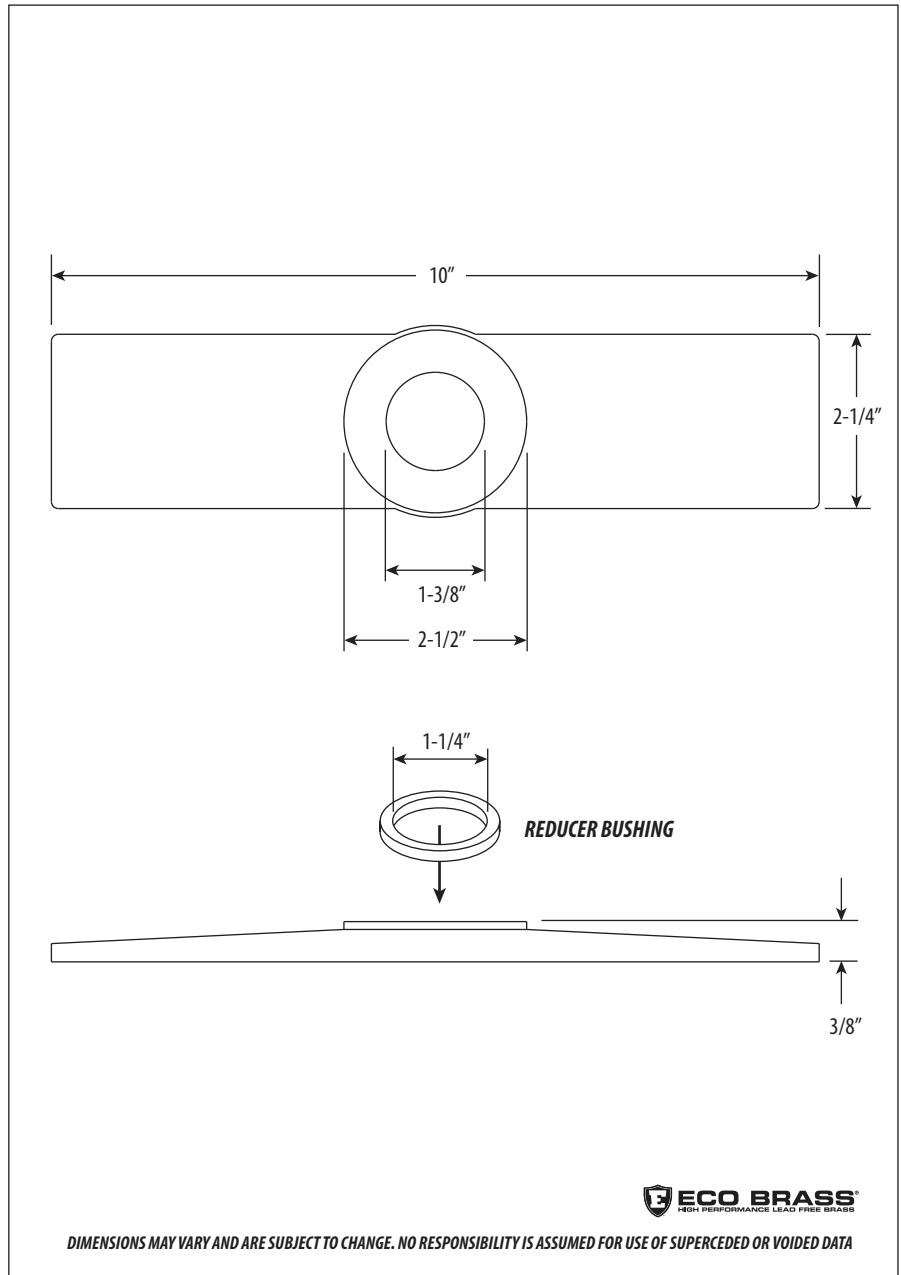
CONTEMPORARY 10" ESCUTCHEON PLATE

Model # 3784



PRODUCT DESCRIPTION

- 10" base plate for concealing extra faucet holes.
- Works with all Waterstone PLP, Gantry, Kitchen and Prep Faucets.
- Machine tapered top won't pool water.
- Made from 3/8" thick solid brass or stainless steel plate.
- Plate will accept 1-3/8" or 1-1/4" faucet mounting shanks.
- Includes 1-1/4" reducer bushing.
- Includes O-ring seals.
- Made in the USA.



AVAILABLE IN 30 FINISHES + SOLID STAINLESS STEEL

Antique Brass - AB
Antique Bronze - ABZ
Antique Copper - AC
American Bronze - AMB
Antique Pewter - AP
Gloss Black - GB
Black Nickel - BLN
Black-Oil Rubbed Bronze - ORB
Caribbean Bronze - CB
Chocolate Bronze - CHB
Chrome - CH

Classic Bronze - CLZ
Distressed Antique Brass - DAB
Distressed Antique Copper - DAC
Distressed American Bronze - DAMB
Distressed Antique Pewter - DAP
Matte Black - MB
Polished Brass - PB
Polished Copper - PC
Polished Gold - PG
Polished Nickel - PN
Satin Brass - SB

Satin Chrome - SC
Satin Gold - SG
Satin Nickel - SN
Stainless Steel - SS*
Tuscan Brass - TB
Unlaquered Polished Brass - UPB
Venetian Bronze - VB
Weathered Brass - WB
Weathered Copper - WC