

# FULTON PREP FAUCET W/ SIDE SPRAY

## Model # 3925-1



### PRODUCT DESCRIPTION

- Suite includes Side Spray.
- Full size, smaller reach Kitchen Faucet.
- Ideal for kitchen islands or wet bars.
- Elegant 2 Bend U-spout with 7" reach.
- Part of the Fulton Contemporary Suite.
- Spout swivels 360 degrees.
- Equipped with diverter for optional side spray.
- 1.75 gpm maximum flow rate with aerated tip.
- Aerated stream.
- Ergonomic single lever handle.
- Adjustable PTFE "Friction Lock" helps handle feel and prevents sag.
- Handle adjusts 22.5 degrees in either direction for backsplash clearance.
- Hot/Cold ceramic disk valve cartridge.
- Reversible and removable hot/ring ring indicator.
- Created from quality solid brass or stainless steel.
- Compatible with Reverse Osmosis filtration systems.
- Reinforced braided connection hoses.
- Lifetime functional warranty.
- Made in America.

### CODES/STANDARDS APPLICABLE

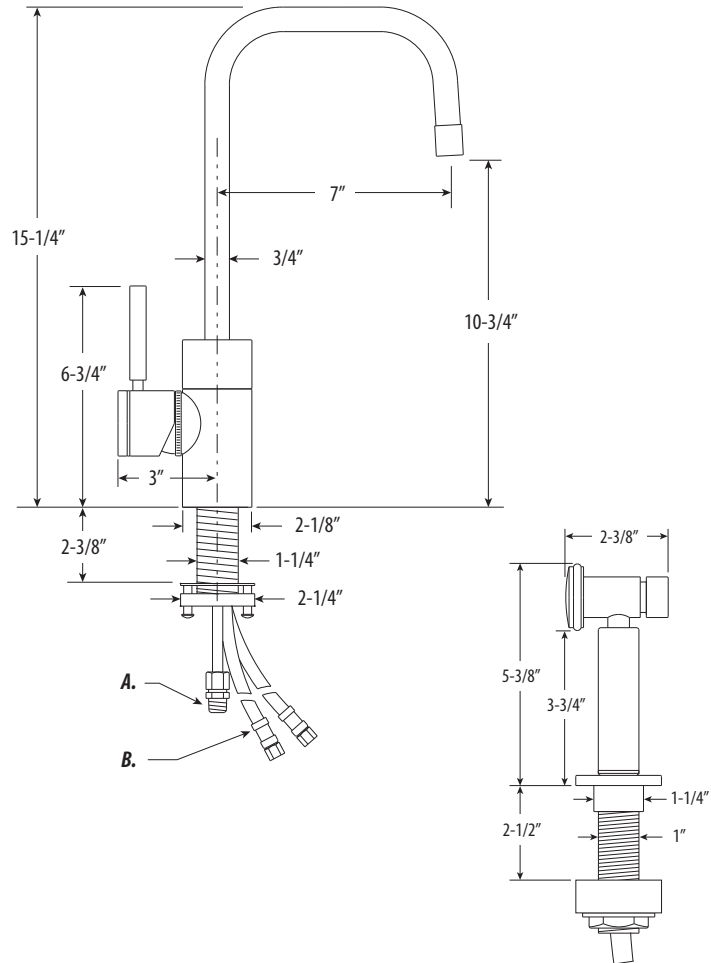
Specified model meets or exceeds the following:

- ASME A112.18.1
- CSA B125.1
- NSF 61, 372
- CALGreen

- Max Counter Thickness 2-3/8"
- Minimum Install Hole Size 1-3/8"

A. Spray Connection with 3/8" Compression Fitting

B. Supply Hoses - 20" Long with 3/8" Compression Fittings



ECO BRASS  
HIGH PERFORMANCE FAUCET FINISH BRASS

### AVAILABLE IN 30 FINISHES + SOLID STAINLESS STEEL

Antique Brass - AB

Antique Bronze - ABZ

Antique Copper - AC

American Bronze - AMB

Antique Pewter - AP

Gloss Black - GB

Black Nickel - BLN

Black-Oil Rubbed Bronze - ORB

Caribbean Bronze - CB

Chocolate Bronze - CHB

Chrome - CH

Classic Bronze - CLZ

Distressed Antique Brass - DAB

Distressed Antique Copper - DAC

Distressed American Bronze - DAMB

Distressed Antique Pewter - DAP

Matte Black - MB

Polished Brass - PB

Polished Copper - PC

Polished Gold - PG

Polished Nickel - PN

Satin Brass - SB

Satin Chrome - SC

Satin Gold - SG

Satin Nickel - SN

Stainless Steel - SS\*

Tuscan Brass - TB

Unlaquered Polished Brass - UPB

Venetian Bronze - VB

Weathered Brass - WB

Weathered Copper - WC