

FULTON PREP FAUCET - 3 PIECE SUITE

Model # 3925-3



PRODUCT DESCRIPTION

- Suite includes Side Spray, Soap/Lotion Dispenser and Air Switch.
- Full size, smaller reach Kitchen Faucet.
- Ideal for kitchen islands or wet bars.
- Elegant 2 Bend U-spout with 7" reach.
- Part of the Fulton Contemporary Suite.
- Spout swivels 360 degrees.
- Equipped with diverter for optional side spray.
- 1.75 gpm maximum flow rate with aerated tip.
- Aerated stream.
- Ergonomic single lever handle.
- Adjustable PTFE "Friction Lock" helps handle feel and prevents sag.
- Handle adjusts 22.5 degrees in either direction for backsplash clearance.
- Hot/Cold ceramic disk valve cartridge.
- Reversible and removable hot/ring ring indicator.
- Created from quality solid brass or stainless steel.
- Compatible with Reverse Osmosis filtration systems.
- Reinforced braided connection hoses.
- Lifetime functional warranty.
- Made in America.

CODES/STANDARDS APPLICABLE

Specified model meets or exceeds the following:

- ASME A112.18.1
- CSA B125.1
- NSF 61, 372
- CALGreen

AVAILABLE IN 30 FINISHES + SOLID STAINLESS STEEL

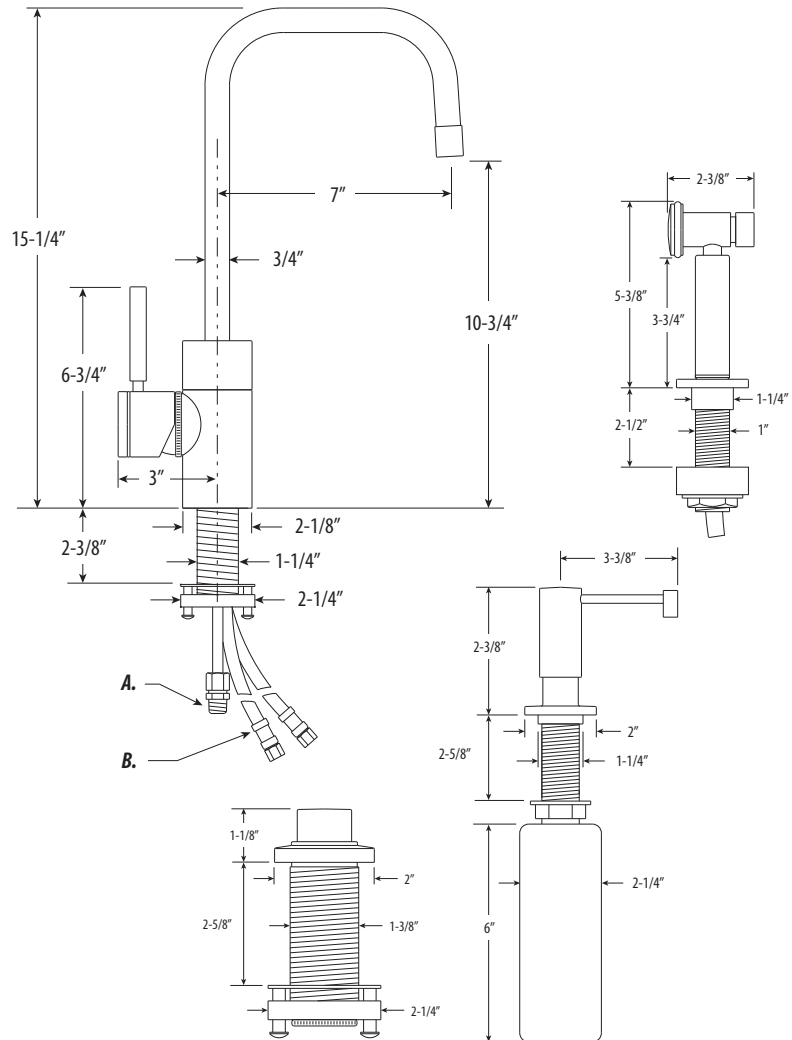
Antique Brass - AB
Antique Bronze - ABZ
Antique Copper - AC
American Bronze - AMB
Antique Pewter - AP
Gloss Black - GB
Black Nickel - BLN
Black-Oil Rubbed Bronze - ORB
Caribbean Bronze - CB
Chocolate Bronze - CHB
Chrome - CH

Classic Bronze - CLZ
Distressed Antique Brass - DAB
Distressed Antique Copper - DAC
Distressed American Bronze - DAMB
Distressed Antique Pewter - DAP
Matte Black - MB
Polished Brass - PB
Polished Copper - PC
Polished Gold - PG
Polished Nickel - PN
Satin Brass - SB

Satin Chrome - SC
Satin Gold - SG
Satin Nickel - SN
Stainless Steel - SS*
Tuscan Brass - TB
Unlaquered Polished Brass - UPB
Venetian Bronze - VB
Weathered Brass - WB
Weathered Copper - WC

- Max Counter Thickness 2-3/8"
- Minimum Install Hole Size 1-3/8"

- A. Spray Connection with 3/8" Compression Fitting
- B. Supply Hoses - 20" Long with 3/8" Compression Fittings



ECO BRASS
BEST PERFORMANCE FAUCET FINISH SYSTEM