

TRADITIONAL SINGLE PORT AIR GAP

Model # 4020



PRODUCT DESCRIPTION

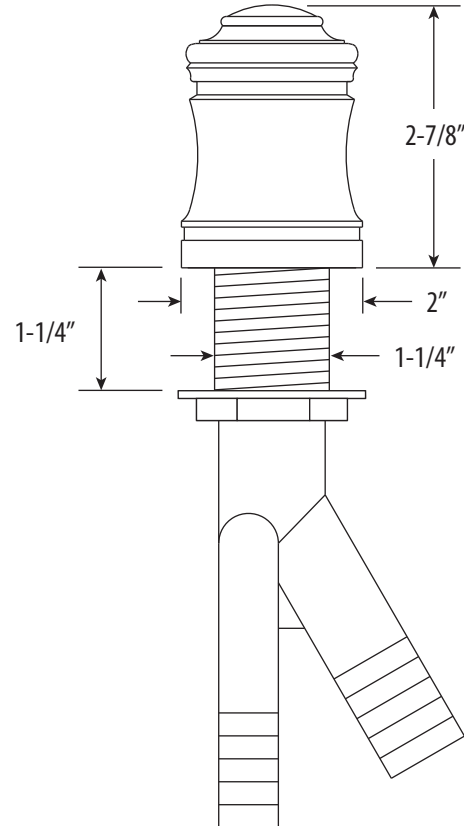
- Single port dishwasher airgap.
- Prevents dishwasher backflow and dirt buildup.
- Cover hides upper nut and washer edges.
- Solid brass construction.
- Includes 2 accent buttons. Finish match and decorative ceramic.
- Made in the USA.

CODES/STANDARDS APPLICABLE

Specified model meets or exceeds the following:

- UPC

- Max Counter Thickness 1-1/4"
- Install Hole Size Adaptable Up to 1-3/8"



DIMENSIONS MAY VARY AND ARE SUBJECT TO CHANGE. NO RESPONSIBILITY IS ASSUMED FOR USE OF SUPERCEDED OR VOIDED DATA

AVAILABLE IN 30 FINISHES + SOLID STAINLESS STEEL

Antique Brass - AB
 Antique Bronze - ABZ
 Antique Copper - AC
 American Bronze - AMB
 Antique Pewter - AP
 Gloss Black - GB
 Black Nickel - BLN
 Black-Oil Rubbed Bronze - ORB
 Caribbean Bronze - CB
 Chocolate Bronze - CHB
 Chrome - CH

Classic Bronze - CLZ
 Distressed Antique Brass - DAB
 Distressed Antique Copper - DAC
 Distressed American Bronze - DAMB
 Distressed Antique Pewter - DAP
 Matte Black - MB
 Polished Brass - PB
 Polished Copper - PC
 Polished Gold - PG
 Polished Nickel - PN
 Satin Brass - SB

Satin Chrome - SC
 Satin Gold - SG
 Satin Nickel - SN
 Stainless Steel - SS*
 Tuscan Brass - TB
 Unlaquered Polished Brass - UPB
 Venetian Bronze - VB
 Weathered Brass - WB
 Weathered Copper - WC