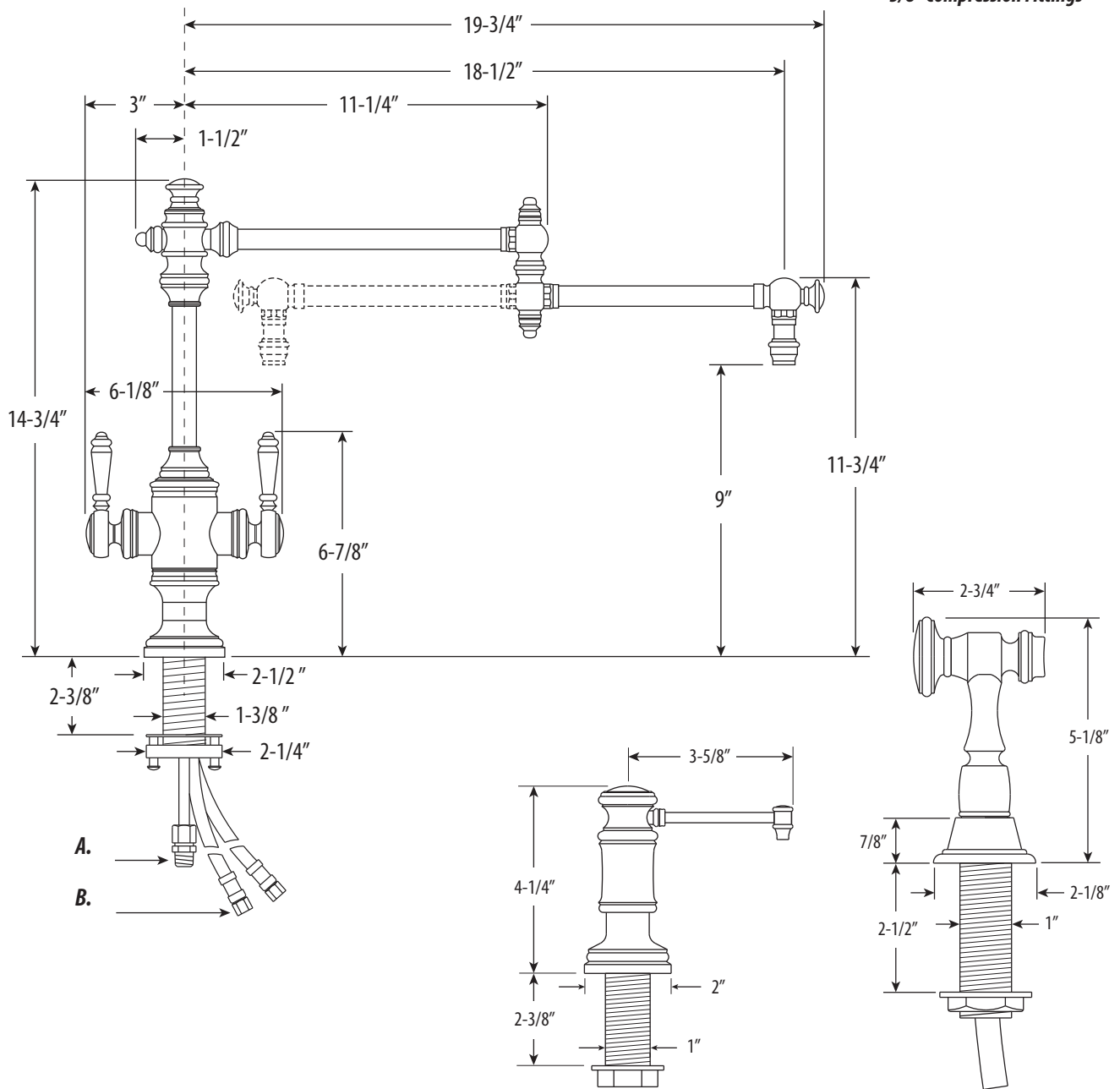


TOWSON TWO HANDLE KITCHEN FAUCET / 18" SPOUT / 2PC. SUITE

8010-18-2

- Max Counter Thickness 2-3/8"
- Minimum Install Hole Size 1-1/2"

- A. Side Spray Connection with 1/4" NPT Pipe Fitting
- B. Supply Hoses - 20" Long with 3/8" Compression Fittings



ECO BRASS
HIGH PERFORMANCE LEAD FREE BRASS

DIMENSIONS MAY VARY AND ARE SUBJECT TO CHANGE. NO RESPONSIBILITY IS ASSUMED FOR USE OF SUPERCEDED OR VOIDED DATA

TOWSON TWO HANDLE KITCHEN FAUCET / 18" SPOUT / 2PC. SUITE

8010-18-2



Finish Shown - Satin Nickel

FEATURES

- Suite includes faucet, side spray and soap/lotion dispenser.
- Part of the traditional Towson Suite.
- Articulated spout has 18" reach and can swivel 360 degrees.
- Hot and cold dual lever control with ceramic disk valve cartridges.
- Adjustable handle brake system provides smooth pull and prevents sagging.
- Equipped with spray diverter and 1/4" NPT pipe fitting connection for optional side spray.
- 1.75 gpm maximum flow rate with aerated tip.
- Resistant to reverse osmosis water.
- Made from solid brass.
- Includes 2 handle button options.
- Reinforced braided connection hoses.
- ADA Compliant.
- Lifetime functional warranty.
- Made in the USA.

CODES/STANDARDS APPLICABLE

Specified model meets or exceeds the following:

- ASME A112.18.1
- CSA B125.1
- NSF 61, 372
- CALGreen
- ADA Compliant



AVAILABLE IN 30 FINISHES