

Features

- One-piece wall-hung toilet with integrated cleansing functionality.
- Elongated bowl offers added room and comfort.
- Mounting hardware is completely concealed for sleek looks and easy cleaning.
- Dual flush offers a choice of 0.8 or 1.6 gallons per flush (gpf).
- Stainless steel wand offers adjustable spray shape, position, water pressure, temperature, pulsate, and oscillate functions.
- Front and rear wash modes provide warm water for cleansing.
- Self-cleaning function uses UV light and electrolyzed water systems to sanitize the wand surfaces.
- Warm-air drying system with adjustable temperature settings.
- Automatic deodorization system.
- Heated seat with adjustable temperature settings.
- Motion-activated, hands-free opening/closing of cover.
- Automatically flushes toilet after use.
- LED lighting illuminates the bowl to serve as a night-light.
- English-language touchscreen LCD remote control.
- Touchless actuator plate in Honed White.

Technology

- Dual-flush technology allows you to choose between a full- or partial-flush.

Installation

- Included components: Complete toilet and seat, in-wall tank & carrier, actuator plate, and LCD remote control.
- See installation guide and installation video for more detailed information.

Recommended Products/Accessories

- K-23726 Drain treatment
- K-23734 Toilet bowl cleaner & disinfectant
- K-23724 Toilet cleaner & disinfectant

Included Components

Product consists of:

- K-18647 In-wall tank & carrier Veil® Intelligent
- K-76395 Wall-hung dual-flush intelligent toilet

Additional Components:

- Integrated elongated cleansing seat
- Remote control & docking station



ADA **CSA B651**

Codes/Standards

ASME A112.19.2/CSA B45.1
ASME A112.19.14
ASME A112.4.2/CSA B45.16
ASME A112.6.2
DOE - Energy Policy Act 1992
EPA WaterSense®
California Energy Commission (CEC)
UL 1951
CSA C22.2 No. 14
CSA C22.2 No. 68
ADA
CSA B651

KOHLER® Intelligent Toilet and C3® Cleansing Seat Three-Year Limited Warranty

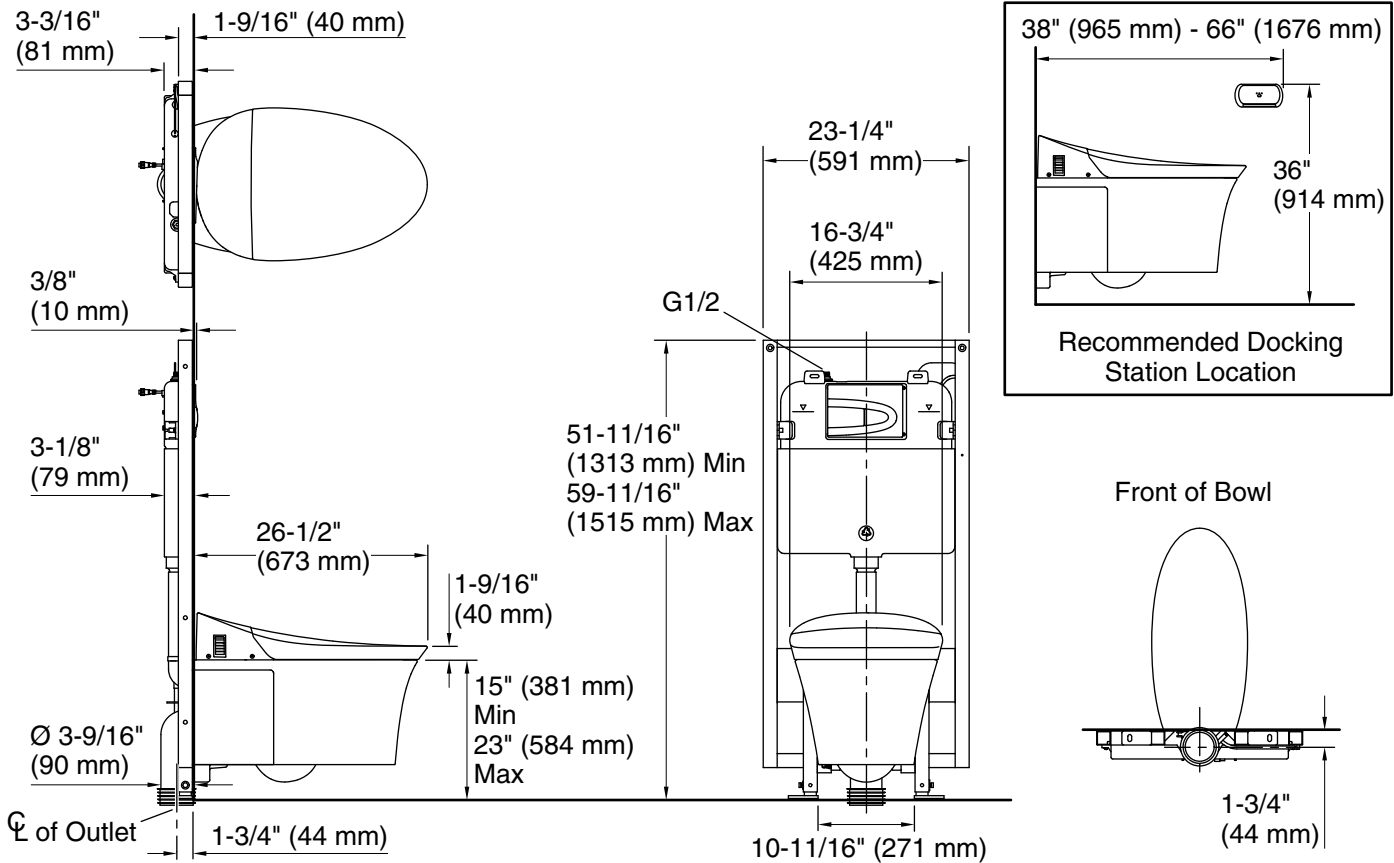
See website for detailed warranty information.

Available Colors/Finishes

Color tiles intended for reference only.

Color Code Description

■ 0 White



Required Electrical Service

One dedicated circuit required.

120 V, 15 A, 60 Hz

Technical Information

All product dimensions are nominal.

Toilet type: One-piece, Wall-mount

Waste Outlet: Wall

Bowl shape: Elongated

Trap passageway: 2-9/16" (65 mm)

Water Consumption

Full: 1.6 gpf (6 lpf)

Reduced: 0.8 gpf (3 lpf)

Seat-mounting holes: 5-1/2" (140 mm)

Notes

Install this product according to the installation instructions.

Requires 2x4 or 2x6 stud construction.

Refer to manufacturer's instructions and local codes for flush valve requirements.

In-wall tank and carrier system install in wall opening 3-3/16" (81 mm) x 23-1/4" (591 mm) x 51-11/16" (1313 mm) minimum.

Maximum inlet water temperature shall not exceed 80°F (26.7°C).

ADA, CSA B651 compliant when installed to the specific requirements of these regulations.

Plumbing codes may require elongated toilets and elongated, open-front seats in public bathrooms.

Accessibility standards may require controls to be located on the open side of the toilet.